

PLANT DATA SHEET

For any enquires please contact
office@civilsydney.com.au

23 Channel Road
 Mayfield West
 NSW 2304
 Ph. (02) 4058 1800
www.civilsydney.com.au

ABN 15 068 316 432

Make:	Tescar	Model:	CF6
Year:	2011	Plant ID:	PN009
Plant Description:		Capabilities:	
<p>The Tescar CF-6 is a specifically design European piling rig that is suited to tight access and low head room projects. The rig is capable to be set up in low head room mode allowing it to drill below overhead structures & services.</p>		<ul style="list-style-type: none"> • Bored Piles <ul style="list-style-type: none"> - 400mm – 1200mm - Drilling depth of 19m - Low head room work 	



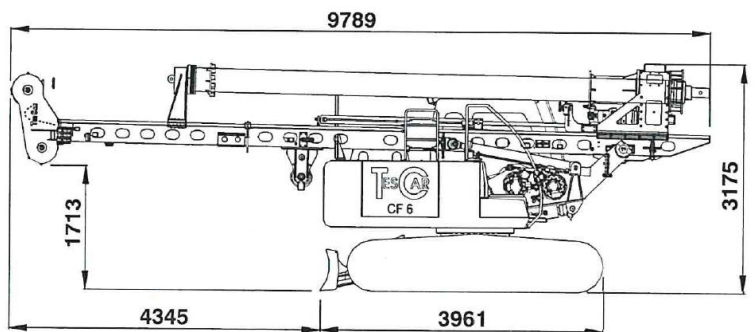
PLANT DATA SHEET

For any enquires please contact
office@civilsydney.com.au

23 Channel Road
 Mayfield West
 NSW 2304
 Ph. (02) 4058 1800
www.civilsydney.com.au

ABN 15 068 316 432

Operational Weight:	19,000kg
Traveling Length: (Transport)	9,800mm
Working Length: (Full reach)	4,000mm
Working Width:	2,500mm
Traveling Height: (Transport)	3,200mm
Working Height: (Without lattice)	11.1m - Normal 7.6m – Low Head Room
Aux Winch Capacity:	3,800kg



Additional Features:

Annual 'Pile Safe' & NDT

Conditional registration

Rear View Cameras

On Board Computer

Service history and plant RA

Rear View Camera

E- Stops & Load Cells

Access Handrails and platforms

Spill Kits

Tagged & tested Lifting equipment

PileSafe®

